



# Specifications

## M-15 Meters



Liquid Controls M and MA Series rotary motion positive displacement (PD) meters offer the ultimate in measurement accuracy for custody transfer of petroleum products, aviation fuels, LPG, and a broad range of industrial liquids.

### Superior performance features

**Low pressure drop** - will operate on gravity flow or pump pressure.

**Sustained accuracy** - no metal-to-metal contact inside the measuring chamber means minimal wear and deterioration in accuracy over time, fewer recalibrations, and longer service life. Meters conform to NIST and International Weights and Measures accuracy requirements.

**Wide viscosity range** - LC meters can accurately meter products from less than 30 SSU (less than 1 centipoise) to 1,500,000 SSU (325,000 centipoise).

**Maximum adaptability** - choice of stock or custom elbows/fittings provides unequaled mounting flexibility to meet widely varying installation requirements.

### Industries served

LC M and MA series meters are well suited for use in industries requiring precise flow measurement and reliable, extended service life:

- Refined petroleum products
- Aviation fuels
- LPG
- Agricultural chemicals
- Paints and coatings
- Foods and beverages
- Petrochemicals
- Pharmaceuticals
- Cosmetics
- Printing Inks
- Textiles

### Accuracy/Performance\*

#### Repeatability

Mechanical registration: capable of 0.05% of reading over entire range

Electronic registration: capable of 0.03% of reading over entire range

#### Linearity

##### Over 5:1 range

Mech. registration: capable of  $\pm 0.125\%$  or better from max. nom. flow rate

Elect. registration: capable of  $\pm 0.10\%$  or better from max. nom. flow rate

##### Over 10:1 range

Mech. registration: capable of  $\pm 0.22\%$  or better from max. nom. flow rate

Elect. registration: capable of  $\pm 0.10\%$  or better from max. nom. flow rate

##### Over 40:1 range

Mech. registration: capable of  $\pm 0.5\%$  or better from max. nom. flow rate

Elect. registration: capable of  $\pm 0.15\%$  or better from max. nom. flow rate

#### Temperature range

-40° F to 160° F (-40° C to 71° C)

\*Stated accuracy obtainable when all variables remain constant. Reading/measurements reflect a minimum of one minute of flow at selected rate(s). All accuracy statements based on metering safety solvent (aliphatic hydrocarbon), approximate viscosity 1 CPS. On higher viscosity products, the average deviation in accuracy will be less.

### Construction

#### Meter housing and rotors

Cast aluminum (other metalurgies available including brass, cast-iron and stainless steel)

#### Internal components

Aluminum, Ni-Resist, stainless steel

#### Seal materials

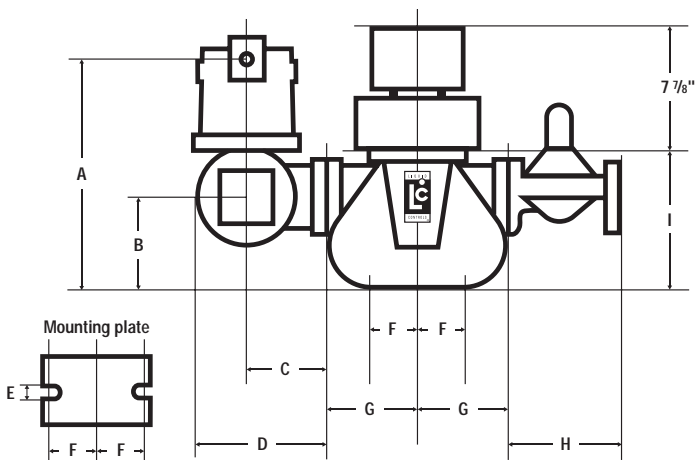
UL recognized component: Buna-N, Viton®, Teflon®<sup>1</sup>

#### Bearings

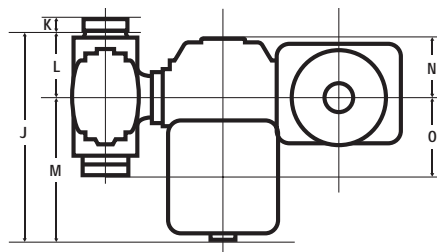
Carbon, Teflon, Ni-Resist

<sup>1</sup>Viton and Teflon are registered trademarks of DuPont Corporation.

**Front View**



**Top View**



**Dimensions: flow meters with electronic registration**

Note: Dimensions shown are not for construction use.  
Consult factory when certified engineering prints are required.

Model	Flange size	Max. nom. Flow rate	Working pressure	Dimensions																Net Wt
				A	B	C	D	E	F	G	H	I	J	K	L	M	N	O		
M-15	3" or 3" in, 2" out	200 GPM (760 L/min)	150 PSI (10.5 BAR)	in	17	7.5	5	7.7	0.69	3.8	5.5	12	10.8	16.1	1.3	5	11.1	5.1	6.5	37 lbs (16.8 kg)
				mm	432	191	127	195	17	95	140	291	273	410	32	127	238	129	165	

**Ordering Information**

Model : \_\_\_\_\_ - \_\_\_\_\_ - \_\_\_\_\_ - \_\_\_\_\_

Description : \_\_\_\_\_

Flow rates: Max. \_\_\_\_\_ Normal \_\_\_\_\_ Min. \_\_\_\_\_

Operating temperatures: Max. \_\_\_\_\_ Normal \_\_\_\_\_ Min. \_\_\_\_\_

Maximum non-shock operating pressure: \_\_\_\_\_

Maximum viscosity: \_\_\_\_\_ @ \_\_\_\_\_ (Temp°/F or C)

Specific gravity: \_\_\_\_\_ @ \_\_\_\_\_ (Temp°/F or C)

Construction class: (1, 2, etc.) \_\_\_\_\_

Seal material:  Standard Buna/Viton  All Viton  All Teflon

Direction of flow:  L to R  R to L

Read out:  Gallons  Liters  Pounds  Other \_\_\_\_\_

Mechanical counter and printer:  Zero/Face up  Zero/Face down  Accumulative

Strainer basket :  40M  80M  100M  Other \_\_\_\_\_

Flange size: \_\_\_\_\_

Flange type:  NPT  BSPT  Slip weld  ANSI  DIN  Other \_\_\_\_\_

Options: \_\_\_\_\_

Class	Description	Bearing Material
1	Refined petroleum products	Ni-Resist <sup>1</sup>
2	Aviation and jet fuel	Ni-Resist <sup>1</sup>
3	Variety of products includes: liquid sugars, sweeteners, syrups, vegetable oils	Ni-Resist <sup>1</sup>
4	Treated waters and solvents where no red metals are allowed	Carbon
14	Crude oil	Ni-Resist
15	Oil - or water-bases latex products, polyester resins, adhesives, herbicides, nitrogen fertilizers	Teflon
16	General solvents	Carbon

<sup>1</sup> Carbon bearings are standard on some meter sizes of this class. Consult factory.



**LIQUID CONTROLS**

A Unit of IDEX Corporation  
105 Albrecht Drive  
Lake Bluff, IL 60044-2242  
1.800.458.5262 • 847.295.1050  
Fax: 847.295.1057  
www.lcmeter.com

© 2003 Liquid Controls  
(07/03)

