

### Features & Benefits

- ExactRead™ technology for exact match from meter to website
- Affordable and reliable remote meter reading with streamlined design
- More frequent data for timely water management decisions
- Pre-assembled on new meters for simplified installation
- Retrofits on existing meters in less than 30 minutes



### Telemetry System for Mc Propeller™ and Water Specialties™ Flow Meters

Your trusted partner for water meters now offers an innovative built-in remote meter reading option, FlowConnect.

McCrometer's latest development in flow metering technology provides districts, growers, and irrigators with a new solution to meter data collection.

This built-in telemetry system for McCrometer Flowmeters is designed to provide easy access to meter data without requiring additional hardware.

FlowConnect can be added to any new or existing McPropeller or Water Specialties Propeller flowmeter.

### Applications

- Billing and accounting
- Conservation
- Regulation and allocations
- Planning and development
- Operations and metering

### Compatibility

- Mc Propeller - Mechanical and Digital Registers
- Water Specialties Propeller - Digital Register ONLY

## TECHNICAL AND PERFORMANCE SPECIFICATIONS

### Communication

Network Type	Cellular	Satellite
Protocols	GSM/GPRS	Iridium
Operating Frequency (MHz)	824–849 869–894 1850–1910 1930–1990 1710–1755	1616-1626.5
Antenna	External Bulkhead Extension TNC Antenna 800/1800/1900 MHz	External Bulkhead Extension TNC Antenna 1,600 Mhz

### Power

<b>Batteries</b>	Batteries can be replaced by user on-site <b>Battery Only:</b> 2 Primary D-Cells 3.6V 13Ah (Both batteries need to be replaced at the same time) <b>Rechargeable:</b> 1 Primary D-Cell 3.6V and 3 Secondary C-Cells, 1.2V in series
<b>External Power</b>	Requires Rechargeable Battery Configuration listed above. Recommended 9-12 VDC, 0-1000mA Max: 14.5 VDC (Power supply or solar panel)
<b>Recommended Battery Replacement Interval</b>	<b>Battery Only:</b> 3 years (Daily Report Interval) <b>Rechargeable:</b> 4 years

### Environmental

<b>Operating Temperature</b>	- 30°C to 70°C (-22°F to 158°F)
<b>Electrical / Mechanical Protection</b>	All electrical components are grounded to fluid column and pipe. Manufactured in accordance with IP-67 Standards and ESD-safe
<b>Environmental Protection</b>	Ingress Protection (Dust Tight / Water Tight) to IP67 Vibration proof while operating: Validated Vibration and 20G Sinusoidal testing to JEDEC 22B103B Section 4.3, Table 3, Service Condition C, for all axis and 20G sin sweep 20 - 2,000Hz for all axis.
<b>Tamper Protection</b>	Factory installed tamper-evident wire lock system

### Other Characteristics

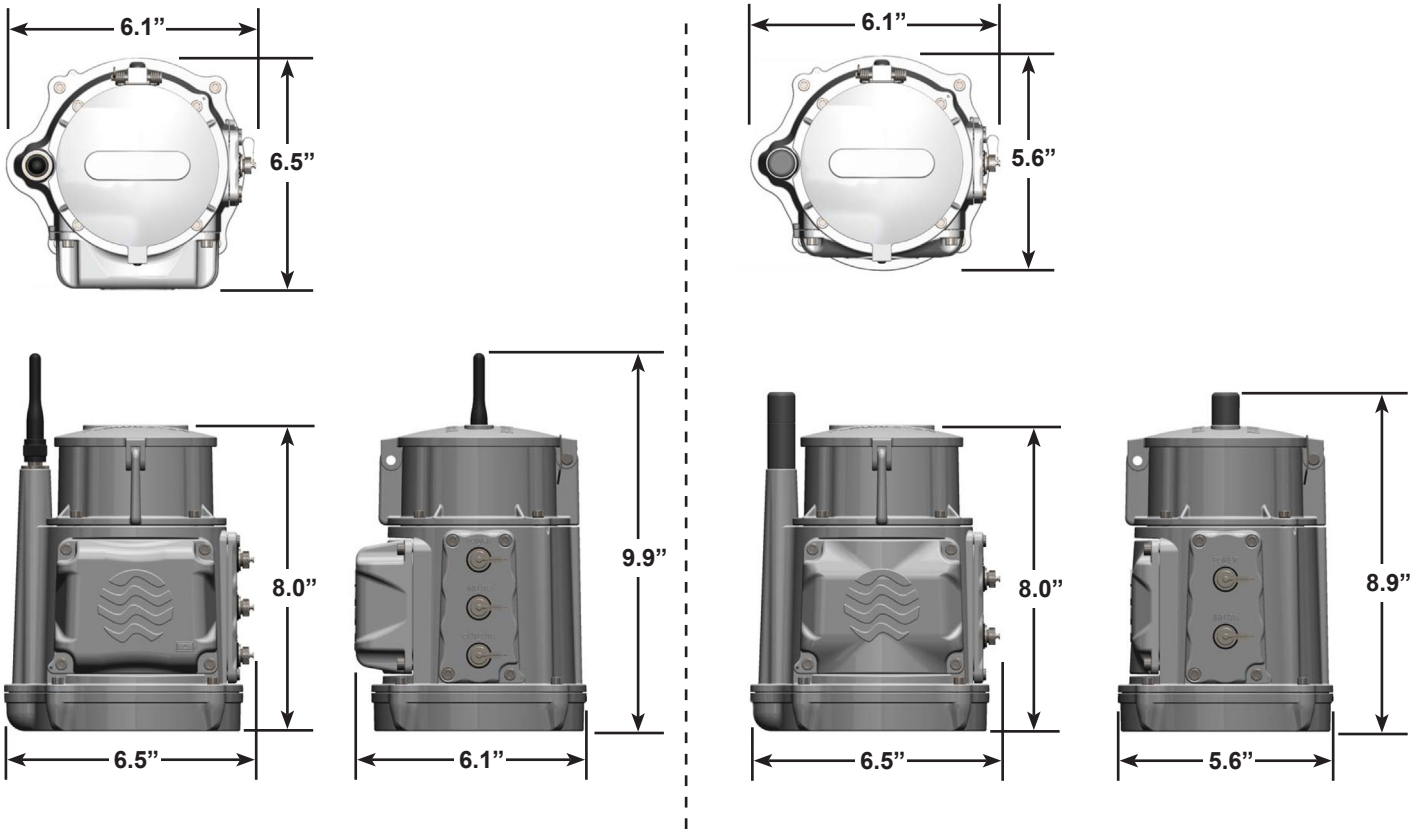
<b>Mounting</b>	Top Plate compatible with any McCrometer Propeller or Water Specialties (Digital Register Only)
<b>External Interface</b>	Five-pin serial-USB cable
<b>Flow Indicator</b>	Digital Register or McPropeller Mechanical Register
<b>Operating Temperature</b>	- 30°C to 70°C (-22°F to 158°F)
<b>Inputs</b>	Two analog sensors, 1 pulse accumulator (for rain gauge)
<b>Outputs</b>	<b>Mechanical Register:</b> None <b>Digital Register:</b> 4-20 mA, Open Collector Pulse, Dry Contact Pulse, Optically Isolated Pulse (via 5- pin output cable)
<b>Data Collection Method</b>	<b>Digital Register:</b> Serial interface between FlowConnect and digital register allows FlowConnect to read totalizer and rate value directly. No pulse counting required and always a perfect match. <b>Mechanical Register (McPropeller only):</b> Pulse counter and high-low digital signal for forward-reverse pulses. Accuracy between meter and Web totalizer: ±0.25%
<b>Data Storage</b>	Capable of storing up to 1,000 reports in local memory

### Accessories

<b>Optional Protective Cover</b>	Gray boot cover, p/n TOB065	
<b>Serial Accessories</b>	200.720.542 serial-USB cable	
<b>Power Accessories</b>	<b>Rechargeable:</b> 200.723.520 2.5W 220mA Solar Panel 200.733.522 5W 540 mA Solar Panel 200.720.523 115V Power Supply <b>Battery Only:</b> No Power Accessories	
<b>Sensor Accessories</b>	Adcon PA1 Cables - Pressure 10bar 500.000.120 - 16 ft. Cable 500.000.119 - 32 ft. Cable 200.733.048 - RGI Rain Gauge 200 200.720.510 - Y Cable 200.733.902 - A902 1/2/3 Cable	
<b>Communication Accessories</b>	<b>Cellular</b>	<b>Satellite</b>
	900.000.590 TNC Rigid Antenna (Included) 900.000.565 Directional Antenna 900.000.567 Extension Antenna	TOB039 Helical Antenna (Included) MCC-510-AI-A Extension Antenna, Magnet Mount

**Dimensions**

Network Type	Cellular	Satellite
Unit Enclosure Size	W x D x H	W x D x H
Non-Rechargeable	6.5" x 5.6" x 9.9"	6.5" x 5.6" x 9.8"
Rechargeable	6.5" x 6.1" x 9.9"	6.5" x 6.1" x 9.8"
Packaged Dimensions	11" x 11" x 11"	11" x 11" x 11"
Packaged Weight	6 lbs.	6 lbs.



Note: The models shown above are used as general examples of the most common features and may not necessarily represent your particular model.